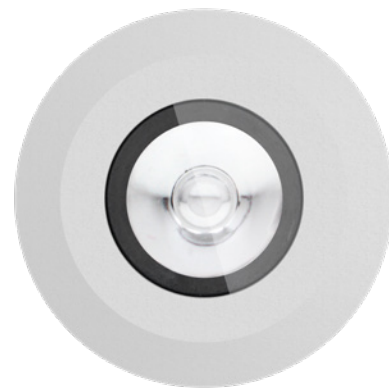


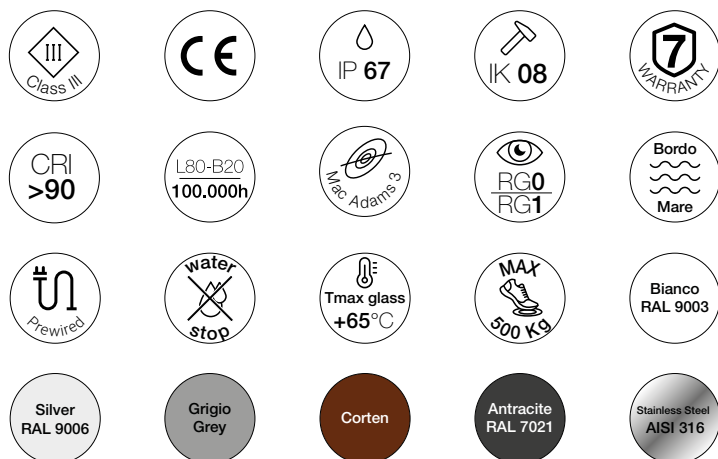
DOT NEW

Apparecchio led calpestabile ad incasso per pavimento/terreno. Corpo in alluminio tornito e ossidato con trattamento anticorrosione colore nero. Cornice in alluminio verniciato bianco, silver, grigio, corten, antracite o in acciaio inox AISI316. Diffusore in vetro piano temperato extrachiaro, spessore 4 mm. Disponibile in tre tipologie di ottiche con lenti in PMMA ad alto rendimento di flusso, antiabbagliamento ed antiriflesso: ottica spot 30°, ottica media diffondente 60° ed ottica diffondente 90°.

Floor/ground recessed led led fixture. Turned oxidized aluminum body with black anti-corrosion treatment. Aluminium frame painted white, gray, anthracite, or AISI316 stainless steel. Extraclear tempered flat glass diffuser, thickness 4 mm. Available in three types of optics with high flux efficiency, anti-glare and anti-reflective PMMA lenses: spot optics 30°, medium wide beam optics 60° and 90° wide-beam optic.



CARATTERISTICHE / MAIN FEATURES



CODIFICA CODICE / CODING

Art.	+	Mod.	+	°K (CRI)	+	W. tot.	+	Options	
7070		R33 R53		97 = 2700°K (CRI ≥90) *		02		BL = on/off	○ Bianco / White
		R36 R56		93 = 3000°K (CRI ≥90)		06		SL = on/off	○ Silver / Silver
		R39 R59		94 = 4000°K (CRI ≥90)				GL = on/off	● Grigio / Grey
		Q33 Q53						CL = on/off	● Corten / Corten
		Q36 Q56						NL = on/off	● Antracite / Anthracite
		Q39 Q59						AX = on/off	○ Acciaio inox AISI 316 / Stainless steel AISI 316

* disponibilità su richiesta / * available on request

Δ LUMEN

	°K	CRI	% Lm
97	2700	≥ 90	-13.68%
93	3000	≥ 90	-7.37%
94	4000	≥ 90	standard

DOTAZIONE / STANDARD EQUIPMENT

- Pressacavo PG7 con acquastop integrato.
- Cavo H05RN-F da 500mm incluso.
- PG7 cable gland with integrated water stop.
- 500mm H05RN-F cable included.

INSTALLAZIONE / INSTALLATION

Apparecchio per installazione ad incasso in pavimentazione o terreno.

Recessed floor or ground fixture.



Mod. R33

Ottica

Ottica spot 30°, con lente in PMMA ad alto rendimento di flusso, antiabbagliamento ed antiriflesso. Diffusore in vetro temperato extrachiaro, spessore 4mm.

Corpo

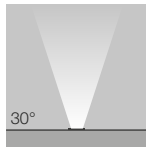
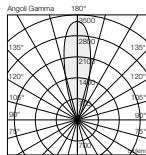
Corpo in alluminio tornito ossidato colore nero. Cornice in alluminio verniciato bianco, silver, grigio, corten, antracite o in acciaio inox AISI316.

Optic

With 30° spot beam lens, made of PMMA with high flux efficiency, anti-glare and anti-reflection. Extra-clear tempered glass diffuser, thickness 4 mm.

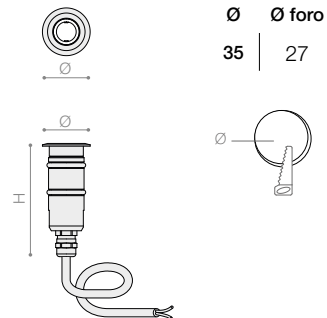
Body

Black turned oxidized aluminum body. Aluminium frame painted white, silver, gray, corten, anthracite, or AISI316 stainless steel.



ESEMPIO CODIFICA CODICE 4000K - CRI \geq 90 - ON/OFF
E.G. ARTICLE REFERENCE 4000K - CRI \geq 90 - ON/OFF

Code	W	°K	CRI	Lm OUTPUT	ØxH (mm)	Col.
7070R339402BL	2	4000	\geq 90	140	35 x 85	○
7070R339402SL	2	4000	\geq 90	140	35 x 85	○
7070R339402GL	2	4000	\geq 90	140	35 x 85	○
7070R339402CL	2	4000	\geq 90	140	35 x 85	●
7070R339402NL	2	4000	\geq 90	140	35 x 85	●
7070R339402AX	2	4000	\geq 90	140	35 x 85	○



Mod. R36

Ottica

Ottica media diffondente 60°, con lente in PMMA ad alto rendimento di flusso, antiabbagliamento ed antiriflesso. Diffusore in vetro temperato extrachiaro, spessore 4mm.

Corpo

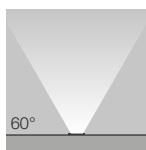
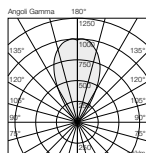
Corpo in alluminio tornito ossidato colore nero. Cornice in alluminio verniciato bianco, silver, grigio, corten, antracite o in acciaio inox AISI316.

Optic

With 60° medium wide beam lens, made of PMMA with high flux efficiency, anti-glare and anti-reflection. Extra-clear tempered glass diffuser, thickness 4 mm.

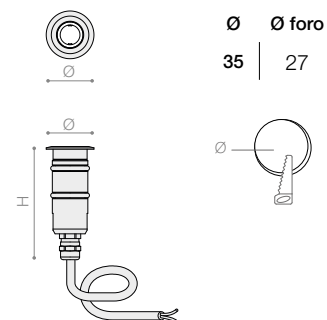
Body

Black turned oxidized aluminum body. Aluminium frame painted white, silver, gray, corten, anthracite, or AISI316 stainless steel.



ESEMPIO CODIFICA CODICE 4000K - CRI \geq 90 - ON/OFF
E.G. ARTICLE REFERENCE 4000K - CRI \geq 90 - ON/OFF

Code	W	°K	CRI	Lm OUTPUT	ØxH (mm)	Col.
7070R369402BL	2	4000	\geq 90	120	35 x 85	○
7070R369402SL	2	4000	\geq 90	120	35 x 85	○
7070R369402GL	2	4000	\geq 90	120	35 x 85	○
7070R369402CL	2	4000	\geq 90	120	35 x 85	●
7070R369402NL	2	4000	\geq 90	120	35 x 85	●
7070R369402AX	2	4000	\geq 90	120	35 x 85	○



Mod. R39

Ottica

Ottica diffondente 90°, con lente in PMMA ad alto rendimento di flusso, antiabbagliamento ed antiriflesso. Diffusore in vetro temperato sabbiato, spessore 4mm.

Corpo

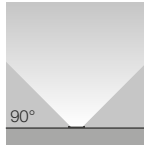
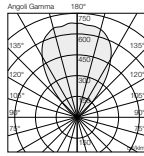
Corpo in alluminio tornito ossidato colore nero. Cornice in alluminio verniciato bianco, silver, grigio, corten, antracite o in acciaio inox AISI316.

Optic

With 90° wide beam lens, made of PMMA with high flux efficiency, anti-glare and anti-reflection. Sanded tempered glass diffuser, thickness 4 mm.

Body

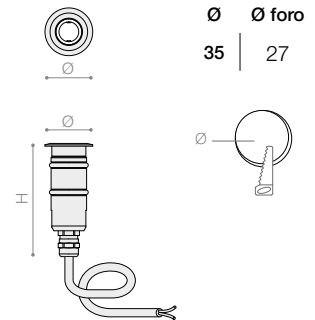
Black turned oxidized aluminum body. Aluminium frame painted white, silver, gray, corten, anthracite, or AISI316 stainless steel.



ESEMPIO CODIFICA CODICE 4000K - CRI≥90 - ON/OFF

E.G. ARTICLE REFERENCE 4000K - CRI≥90 - ON/OFF

Code	W	°K	CRI	Lm OUTPUT	ØxH (mm)	Col.
7070R399402BL	2	4000	≥90	90	35 x 85	○
7070R399402SL	2	4000	≥90	90	35 x 85	○
7070R399402GL	2	4000	≥90	90	35 x 85	○
7070R399402CL	2	4000	≥90	90	35 x 85	○
7070R399402NL	2	4000	≥90	90	35 x 85	●
7070R399402AX	2	4000	≥90	90	35 x 85	○



Mod. Q33

Ottica

Ottica spot 30°, con lente in PMMA ad alto rendimento di flusso, antiabbagliamento ed antiriflesso. Diffusore in vetro temperato extrachiaro, spessore 4mm.

Corpo

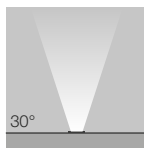
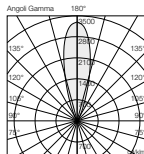
Corpo in alluminio tornito ossidato colore nero. Cornice in alluminio verniciato bianco, silver, grigio, corten, antracite o in acciaio inox AISI316.

Optic

With 30° spot beam lens, made of PMMA with high flux efficiency, anti-glare and anti-reflection. Extra-clear tempered glass diffuser, thickness 4 mm.

Body

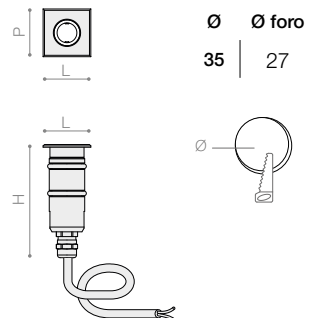
Black turned oxidized aluminum body. Aluminium frame painted white, silver, gray, corten, anthracite, or AISI316 stainless steel.



ESEMPIO CODIFICA CODICE 4000K - CRI≥90 - ON/OFF

E.G. ARTICLE REFERENCE 4000K - CRI≥90 - ON/OFF

Code	W	°K	CRI	Lm OUTPUT	LxPxH (mm)	Col.
7070Q339402BL	2	4000	≥90	140	35 x 35 x 85	○
7070Q339402SL	2	4000	≥90	140	35 x 35 x 85	○
7070Q339402GL	2	4000	≥90	140	35 x 35 x 85	○
7070Q339402CL	2	4000	≥90	140	35 x 35 x 85	○
7070Q339402NL	2	4000	≥90	140	35 x 35 x 85	●
7070Q339402AX	2	4000	≥90	140	35 x 35 x 85	○



Mod. Q36

Ottica

Ottica media diffondente 60°, con lente in PMMA ad alto rendimento di flusso, antiabbagliamento ed antiriflesso. Diffusore in vetro temperato extrachiario, spessore 4mm.

Corpo

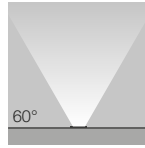
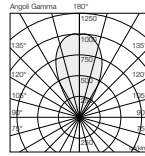
Corpo in alluminio tornito ossidato colore nero. Cornice in alluminio verniciato bianco, silver, grigio, corten, antracite o in acciaio inox AISI316.

Optic

With 60° medium wide beam lens, made of PMMA with high flux efficiency, anti-glare and anti-reflection. Extra-clear tempered glass diffuser, thickness 4 mm.

Body

Black turned oxidized aluminum body. Aluminium frame painted white, silver, gray, corten, anthracite, or AISI316 stainless steel.



ESEMPIO CODIFICA CODICE 4000K - CRI≥90 - ON/OFF

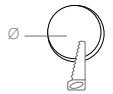
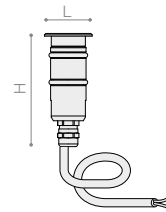
E.G. ARTICLE REFERENCE 4000K - CRI≥90 - ON/OFF

Code	W	°K	CRI	Lm OUTPUT	LxPxH (mm)	Col.
7070Q369402BL	2	4000	≥90	120	35 x 35 x 85	○
7070Q369402SL	2	4000	≥90	120	35 x 35 x 85	○
7070Q369402GL	2	4000	≥90	120	35 x 35 x 85	○
7070Q369402CL	2	4000	≥90	120	35 x 35 x 85	○
7070Q369402NL	2	4000	≥90	120	35 x 35 x 85	●
7070Q369402AX	2	4000	≥90	120	35 x 35 x 85	○



Ø Ø foro

35 | 27



Mod. Q39

Ottica

Ottica diffondente 90°, con lente in PMMA ad alto rendimento di flusso, antiabbagliamento ed antiriflesso. Diffusore in vetro temperato sabbaiato, spessore 4mm.

Corpo

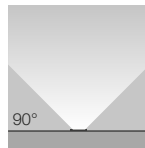
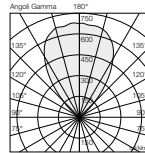
Corpo in alluminio tornito ossidato colore nero. Cornice in alluminio verniciato bianco, silver, grigio, corten, antracite o in acciaio inox AISI316.

Optic

With 90° wide beam lens, made of PMMA with high flux efficiency, anti-glare and anti-reflection. Sanded tempered glass diffuser, thickness 4 mm.

Body

Black turned oxidized aluminum body. Aluminium frame painted white, silver, gray, corten, anthracite, or AISI316 stainless steel.



ESEMPIO CODIFICA CODICE 4000K - CRI≥90 - ON/OFF

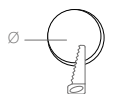
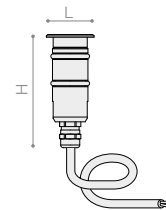
E.G. ARTICLE REFERENCE 4000K - CRI≥90 - ON/OFF

Code	W	°K	CRI	Lm OUTPUT	LxPxH (mm)	Col.
7070Q399402BL	2	4000	≥90	90	35 x 35 x 85	○
7070Q399402SL	2	4000	≥90	90	35 x 35 x 85	○
7070Q399402GL	2	4000	≥90	90	35 x 35 x 85	○
7070Q399402CL	2	4000	≥90	90	35 x 35 x 85	○
7070Q399402NL	2	4000	≥90	90	35 x 35 x 85	●
7070Q399402AX	2	4000	≥90	90	35 x 35 x 85	○



Ø Ø foro

35 | 27



Mod. R53

Ottica

Ottica spot 30°, con lente in PMMA ad alto rendimento di flusso, antiabbagliamento ed antiriflesso. Diffusore in vetro temperato extrachiaro, spessore 4mm.

Corpo

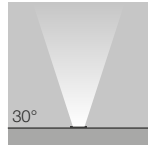
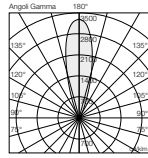
Corpo in alluminio tornito ossidato colore nero. Cornice in alluminio verniciato bianco, silver, grigio, corten, antracite o in acciaio inox AISI316.

Optic

With 30° spot beam lens, made of PMMA with high flux efficiency, anti-glare and anti-reflection. Extra-clear tempered glass diffuser, thickness 4 mm.

Body

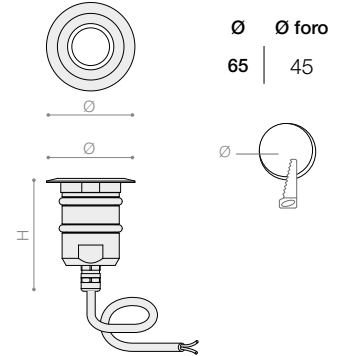
Black turned oxidized aluminum body. Aluminium frame painted white, silver, gray, corten, anthracite, or AISI316 stainless steel.



ESEMPIO CODIFICA CODICE 4000K - CRI≥90 - ON/OFF

E.G. ARTICLE REFERENCE 4000K - CRI≥90 - ON/OFF

Code	W	°K	CRI	Lm OUTPUT	ØxH (mm)	Col.
7070R539406BL	6	4000	≥90	623	65 x 85	○
7070R539406SL	6	4000	≥90	623	65 x 85	○
7070R539406GL	6	4000	≥90	623	65 x 85	○
7070R539406CL	6	4000	≥90	623	65 x 85	○
7070R539406NL	6	4000	≥90	623	65 x 85	●
7070R539406AX	6	4000	≥90	623	65 x 85	○



Mod. R56

Ottica

Ottica media diffondente 60°, con lente in PMMA ad alto rendimento di flusso, antiabbagliamento ed antiriflesso. Diffusore in vetro temperato extrachiaro, spessore 4mm.

Corpo

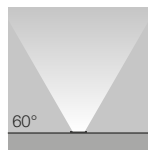
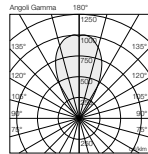
Corpo in alluminio tornito ossidato colore nero. Cornice in alluminio verniciato bianco, silver, grigio, corten, antracite o in acciaio inox AISI316.

Optic

With 60° medium wide beam lens, made of PMMA with high flux efficiency, anti-glare and anti-reflection. Extra-clear tempered glass diffuser, thickness 4 mm.

Body

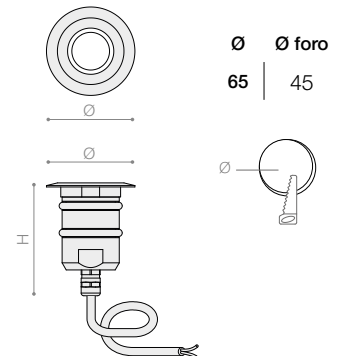
Black turned oxidized aluminum body. Aluminium frame painted white, silver, gray, corten, anthracite, or AISI316 stainless steel.



ESEMPIO CODIFICA CODICE 4000K - CRI≥90 - ON/OFF

E.G. ARTICLE REFERENCE 4000K - CRI≥90 - ON/OFF

Code	W	°K	CRI	Lm OUTPUT	ØxH (mm)	Col.
7070R569406BL	6	4000	≥90	534	65 x 85	○
7070R569406SL	6	4000	≥90	534	65 x 85	○
7070R569406GL	6	4000	≥90	534	65 x 85	○
7070R569406CL	6	4000	≥90	534	65 x 85	○
7070R569406NL	6	4000	≥90	534	65 x 85	●
7070R569406AX	6	4000	≥90	534	65 x 85	○



Mod. R59

Ottica

Ottica diffondente 90°, con lente in PMMA ad alto rendimento di flusso, antiabbagliamento ed antiriflesso. Diffusore in vetro temperato sabbiato, spessore 4mm.

Corpo

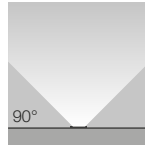
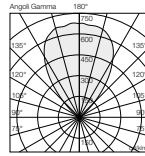
Corpo in alluminio tornito ossidato colore nero. Cornice in alluminio verniciato bianco, silver, grigio, corten, antracite o in acciaio inox AISI316.

Optic

With 90° wide beam lens, made of PMMA with high flux efficiency, anti-glare and anti-reflection. Sanded tempered glass diffuser, thickness 4 mm.

Body

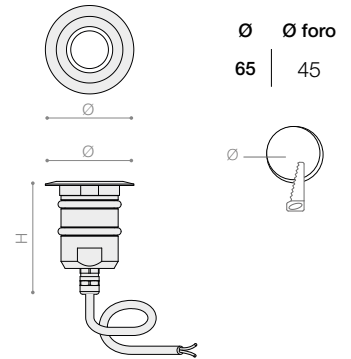
Black turned oxidized aluminum body. Aluminium frame painted white, silver, gray, corten, anthracite, or AISI316 stainless steel.



ESEMPIO CODIFICA CODICE 4000K - CRI \geq 90 - ON/OFF

E.G. ARTICLE REFERENCE 4000K - CRI \geq 90 - ON/OFF

Code	W	°K	CRI	Lm OUTPUT	ØxH (mm)	Col.
7070R599406BL	6	4000	\geq 90	463	65 x 85	○
7070R599406SL	6	4000	\geq 90	463	65 x 85	○
7070R599406GL	6	4000	\geq 90	463	65 x 85	○
7070R599406CL	6	4000	\geq 90	463	65 x 85	●
7070R599406NL	6	4000	\geq 90	463	65 x 85	●
7070R599406AX	6	4000	\geq 90	463	65 x 85	○



Mod. Q53

Ottica

Ottica spot 30°, con lente in PMMA ad alto rendimento di flusso, antiabbagliamento ed antiriflesso. Diffusore in vetro temperato extrachiaro, spessore 4mm.

Corpo

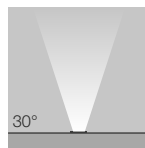
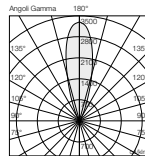
Corpo in alluminio tornito ossidato colore nero. Cornice in alluminio verniciato bianco, silver, grigio, corten, antracite o in acciaio inox AISI316.

Optic

With 30° spot beam lens, made of PMMA with high flux efficiency, anti-glare and anti-reflection. Extra-clear tempered glass diffuser, thickness 4 mm.

Body

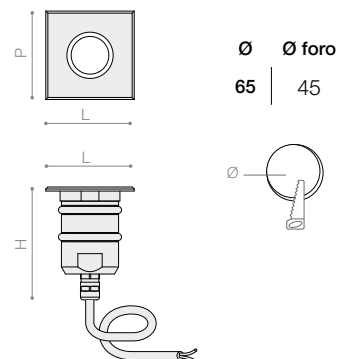
Black turned oxidized aluminum body. Aluminium frame painted white, silver, gray, corten, anthracite, or AISI316 stainless steel.



ESEMPIO CODIFICA CODICE 4000K - CRI \geq 90 - ON/OFF

E.G. ARTICLE REFERENCE 4000K - CRI \geq 90 - ON/OFF

Code	W	°K	CRI	Lm OUTPUT	LxPxH (mm)	Col.
7070Q539406BL	6	4000	\geq 90	623	65 x 65 x 85	○
7070Q539406SL	6	4000	\geq 90	623	65 x 65 x 85	○
7070Q539406GL	6	4000	\geq 90	623	65 x 65 x 85	○
7070Q539406CL	6	4000	\geq 90	623	65 x 65 x 85	●
7070Q539406NL	6	4000	\geq 90	623	65 x 65 x 85	●
7070Q539406AX	6	4000	\geq 90	623	65 x 65 x 85	○



Mod. Q56

Ottica

Ottica media diffondente 60°, con lente in PMMA ad alto rendimento di flusso, antiabbagliamento ed antiriflesso. Diffusore in vetro temperato extrachiaro, spessore 4mm.

Corpo

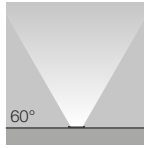
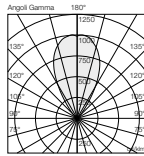
Corpo in alluminio tornito ossidato colore nero. Cornice in alluminio verniciato bianco, silver, grigio, corten, antracite o in acciaio inox AISI316.

Optic

With 60° medium wide beam lens, made of PMMA with high flux efficiency, anti-glare and anti-reflection. Extra-clear tempered glass diffuser, thickness 4 mm.

Body

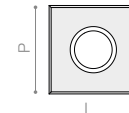
Black turned oxidized aluminum body. Aluminium frame painted white, silver, gray, corten, anthracite, or AISI316 stainless steel.



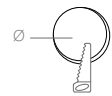
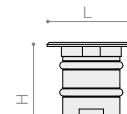
ESEMPIO CODIFICA CODICE 4000K - CRI≥90 - ON/OFF

E.G. ARTICLE REFERENCE 4000K - CRI≥90 - ON/OFF

Code	W	°K	CRI	Lm OUTPUT	LxPxH (mm)	Col.
7070Q569406BL	6	4000	≥90	534	65 x 65 x 85	○
7070Q569406SL	6	4000	≥90	534	65 x 65 x 85	○
7070Q569406GL	6	4000	≥90	534	65 x 65 x 85	○
7070Q569406CL	6	4000	≥90	534	65 x 65 x 85	○
7070Q569406NL	6	4000	≥90	534	65 x 65 x 85	●
7070Q569406AX	6	4000	≥90	534	65 x 65 x 85	○



Ø Ø foro
65 | 45



Mod. Q59

Ottica

Ottica diffondente 90°, con lente in PMMA ad alto rendimento di flusso, antiabbagliamento ed antiriflesso. Diffusore in vetro temperato sabbato, spessore 4mm.

Corpo

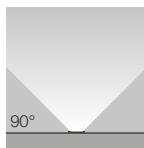
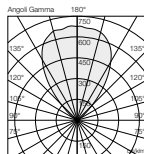
Corpo in alluminio tornito ossidato colore nero. Cornice in alluminio verniciato bianco, silver, grigio, corten, antracite o in acciaio inox AISI316.

Optic

With 90° wide beam lens, made of PMMA with high flux efficiency, anti-glare and anti-reflection. Sanded tempered glass diffuser, thickness 4 mm.

Body

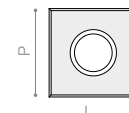
Black turned oxidized aluminum body. Aluminium frame painted white, silver, gray, corten, anthracite, or AISI316 stainless steel.



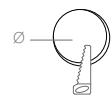
ESEMPIO CODIFICA CODICE 4000K - CRI≥90 - ON/OFF

E.G. ARTICLE REFERENCE 4000K - CRI≥90 - ON/OFF

Code	W	°K	CRI	Lm OUTPUT	LxPxH (mm)	Col.
7070Q599406BL	6	4000	≥90	463	65 x 65 x 85	○
7070Q599406SL	6	4000	≥90	463	65 x 65 x 85	○
7070Q599406GL	6	4000	≥90	463	65 x 65 x 85	○
7070Q599406CL	6	4000	≥90	463	65 x 65 x 85	○
7070Q599406NL	6	4000	≥90	463	65 x 65 x 85	●
7070Q599406AX	6	4000	≥90	463	65 x 65 x 85	○



Ø Ø foro
65 | 45





- ACC360** Tubo Ø 35mm per installazione interrata. (mod.R33, mod.R36, mod.R39, mod.Q33, mod.Q36, mod.Q39).
Ø 35mm pipe for underground installation. (mod.R33, mod.R36, mod.R39, mod.Q33, mod.Q36, mod.Q39).
- ACC361** Tubo Ø 55mm per installazione interrata. (mod.R53, mod.R56, mod.R59, mod.Q53, mod.Q56, mod.Q59).
Ø 55mm pipe for underground installation. (mod.R53, mod.R56, mod.R59, mod.Q53, mod.Q56, mod.Q59).
- ACC362** Driver remoto 24V 30W IP20.
Remote driver 24V 30W IP20.
- ACC363** Driver remoto 24V 75W IP20.
Remote driver 24V 75W IP20.
- ACC364** Driver remoto 24V 75W IP67.
Remote driver 24V 75W IP67.

- ACC365** Driver remoto DALI 24V 100W IP67.
Remote DALI driver 24V 100W IP67.
- ACC366** Cavo H05RN-F 2x0,75 mm2 lunghezza 5m.
H05RN-F 2x0.75 mm2 cable length 5m.
- ACC367** Cavo H05RN-F 2x0,75 mm2 lunghezza 10m.
H05RN-F 2x0.75 mm2 cable length 10m.
- ACC368** Cavo H05RN-F 2x0,75 mm2 lunghezza 15m.
H05RN-F 2x0.75 mm2 cable length 15m.
- ACC369** Cavo H05RN-F 2x0,75 mm2 lunghezza 20m.
H05RN-F 2x0.75 mm2 cable length 20m.

